

# ANGLED PROFILE-CONVEYOR – TYPE: PRO-WA/WAA

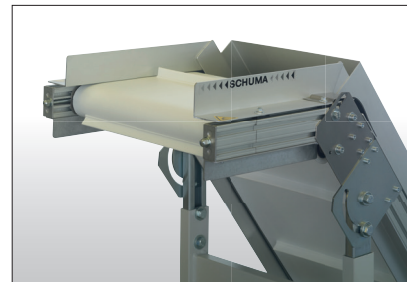
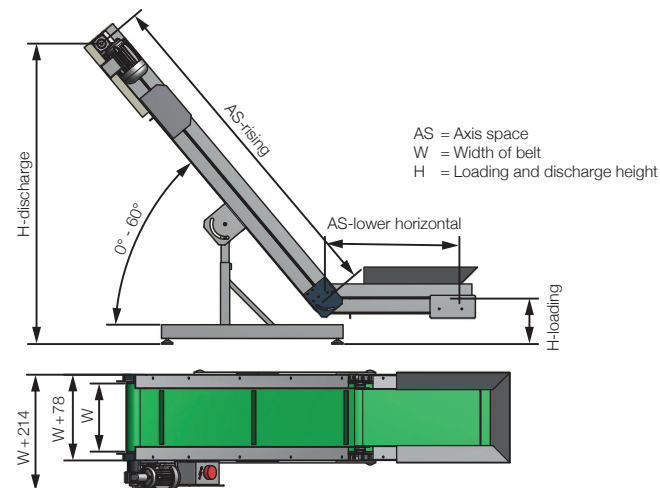
**The ideal helper for height differences - the angled profile-conveyor.**

SCHUMA angled profile-conveyors give you a variety of possibilities! SCHUMA angled profile-conveyors are available both as an L variant (PRO-WA) as well as a Z variant (PRO-WAA). With regard to dimensions in length and angles of gradient, the conveyors are available in the widest variety of versions and can therefore be adapted to your exact requirements.

**Benefits:**

- infinitely variable height adjustment
- angle of inclination infinitely adjustable from 0-60°.
- any horizontal, inclined and upper horizontal length
- motor next to the conveyor belt (type: PRO-EN WA) can be chosen
- motor under the conveyor belt (type: PRO-EN WAU) can be chosen
- different conveyor belt types possible
- clean room version possible
- belt width up to 600 mm possible, other sizes on request

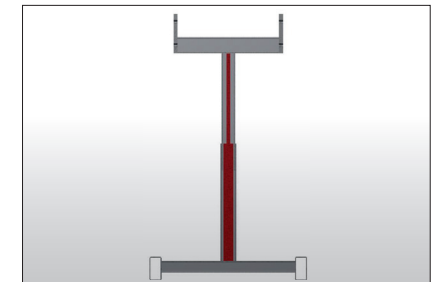
We make your conveyor with a steel frame if it will be used for heavy loads. An angle of inclination adjustment is not possible with a steel frame with Ø 100.



Additional angle on the discharge side type: PRO-WAA.



PRO-WA with leg support feet.



Gas spring integrated into the support foot for simple height adjustments.